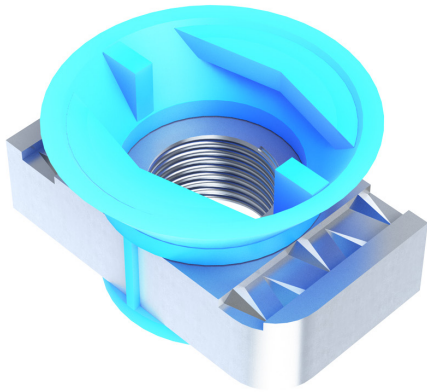


**PRODUCT CODE: CN8**  
EASYFIT CHANNEL NUT



**DESCRIPTION**

M8 Easyfit Channel Nut

**FINISH**

Nut: BZP / Easyfit Cone: Blue

**MATERIAL**

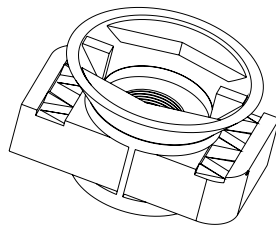
Nut: Steel / Easyfit Cone: Nylon 6

**PACKAGING**

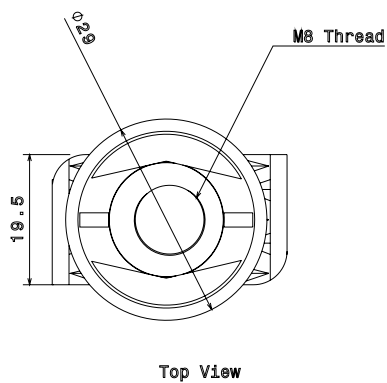
Packed in qty 100

**ADDITIONAL NOTES**

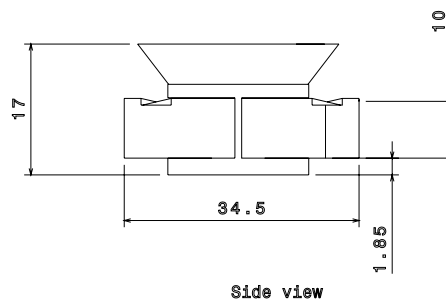
Produced to comply with the requirements of BS6946 Metal Channel Support Systems  
For use with 21mm and 41mm Depth Channel



Isometric view



Top View



Side view